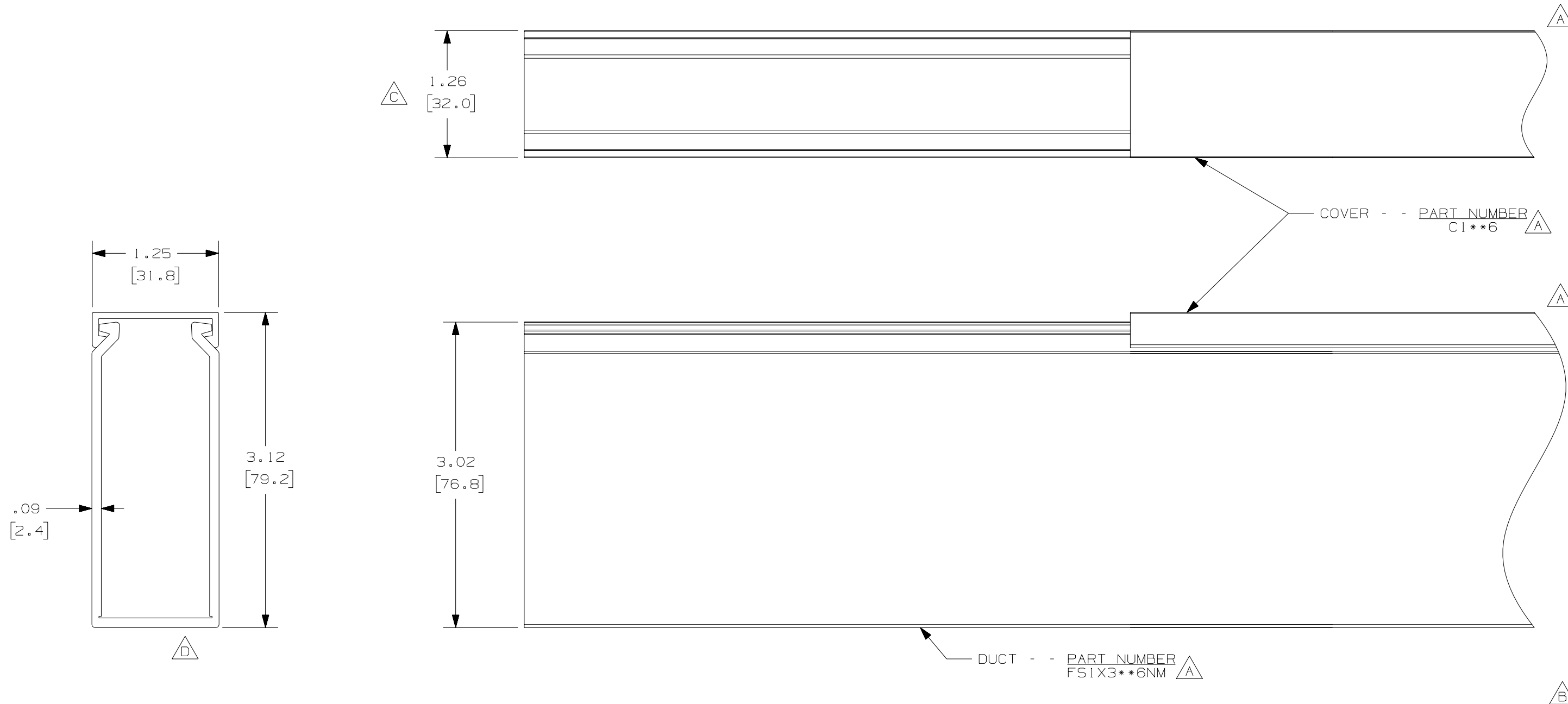


THIS COPY IS PROVIDED ON A RESTRICTED BASIS AND IS NOT TO BE USED IN ANY WAY DETRIMENTAL TO THE INTERESTS OF PANDUIT CORP.



A E

NOTE.

1. ALL DIMENSIONS ARE REFERENCE ONLY.
2. DIMENSIONS IN PARENTHESES ARE METRIC.
3. THE \*\* DENOTE COLOR.
4. DUCT AND COVER ARE AVAILABLE IN 6 FT [1828.8] LENGTHS.

REV	DATE	BY	CHK	DESCRIPTION	CAD FILENAME/LAYERS	MAT'L:	SCALE	DWG SIZE
					D11000EW_DC_02B		FULL	B
					<b>PANDUIT</b> CORP., TINLEY PARK, ILLINOIS WIRING DUCT - TYPE FS WITH COVER 1 X 3 MARKETING DRAWING			
2	8-6-07	JCST	MKBE	D. DELETED DIMENSION C. ADDED DIMENSION				
1	10-14-05	JCST	MKBE	B. CHANGED DRAWING SIZE A. ADDED SIDE & TOP VIEWS, LABELS, AND NOTE	DRAWN BY JHNU			
R	10-2-03	JHNU	JGG	DRAWING RELEASED	DATE 10-2-03	PVC		
					CHECKED BY JGG		DRAWING NO. 36897-895	DWG B SIZE